

**ABOUT TIMES-7**

We are a high-tech company specializing in the design and manufacture of RAIN (UHF) RFID antennas.

Our journey began in 2006, when Times-7 was founded. Since then, we have developed the largest portfolio of fixed RAIN RFID reader antennas, which are famous for their quality and performance.

We are based in Lower Hutt, New Zealand, but our reach extends worldwide as we export our products through our authorized partner network.

In addition to our world-class products and in-depth expertise, our customers appreciate Times-7's customer service and technical support.

We are responsive in supporting a large global customer base and ensuring the success of our customer's implementations.

Times-7 Research Ltd  
10 Te Puni Street  
Lower Hutt 5012  
New Zealand

NEW ZEALAND  
P: +64 4 974 6566

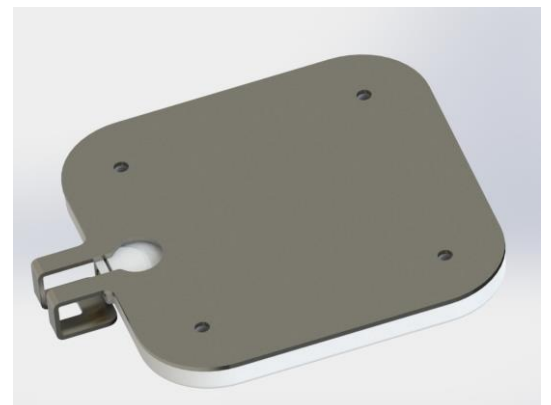
USA/CANADA  
P: +1 408 769 5025

E: [sales@times-7.com](mailto:sales@times-7.com)

W: [www.times-7.com](http://www.times-7.com)



Patent Info: [www.times-7.com/patents](http://www.times-7.com/patents)



A5010 Backplate

A5020 Backplate

The A5020 antenna family and the A5010CP antenna come with SMA connectors, which complement their slim design. To safeguard the antenna connector, particularly when it's mounted on a bracket in open spaces, we've designed the Connector Protection Backplate.

Installing the backplate is straightforward – attach it to the rear side of the antenna. The backplate secures over the connector using the provided mounting holes. It's compatible with both right-angled and straight cables.

**Ordering Information**

*Note: please quote product code & part number*

Product Code	Compatibility	Part No.
A5010 Backplate	A5010CP	72400
A5020 Backplate	A5020 LX / CP / MR / NF	72394

## Mounting Information

The Connector Protection Backplate offers two mounting options: flush mounting and VESA mounting.

### How to Flush Mount:

1. Feed the cable through the slot in the backplate.
2. Attach the cable to the antenna.
3. Align the holes on the antenna with the holes on the backplate.
4. Your setup is now ready for flush mounting.

### How to VESA Mount:

1. To VESA mount on an articulated bracket, align the antenna holes and feed them through the backplate using bolts to secure them.
2. Attach the bracket using washers and nuts.
3. The backplate is compatible with cables featuring elbow connectors.
4. The slots on the backplate allow for cable attachment, allowing the accessory cable to be routed behind or to the side of the antenna.
5. The A5020 antenna family supports VESA-spaced mounting brackets, and the backplate has four mounting holes.

### Important Notes:

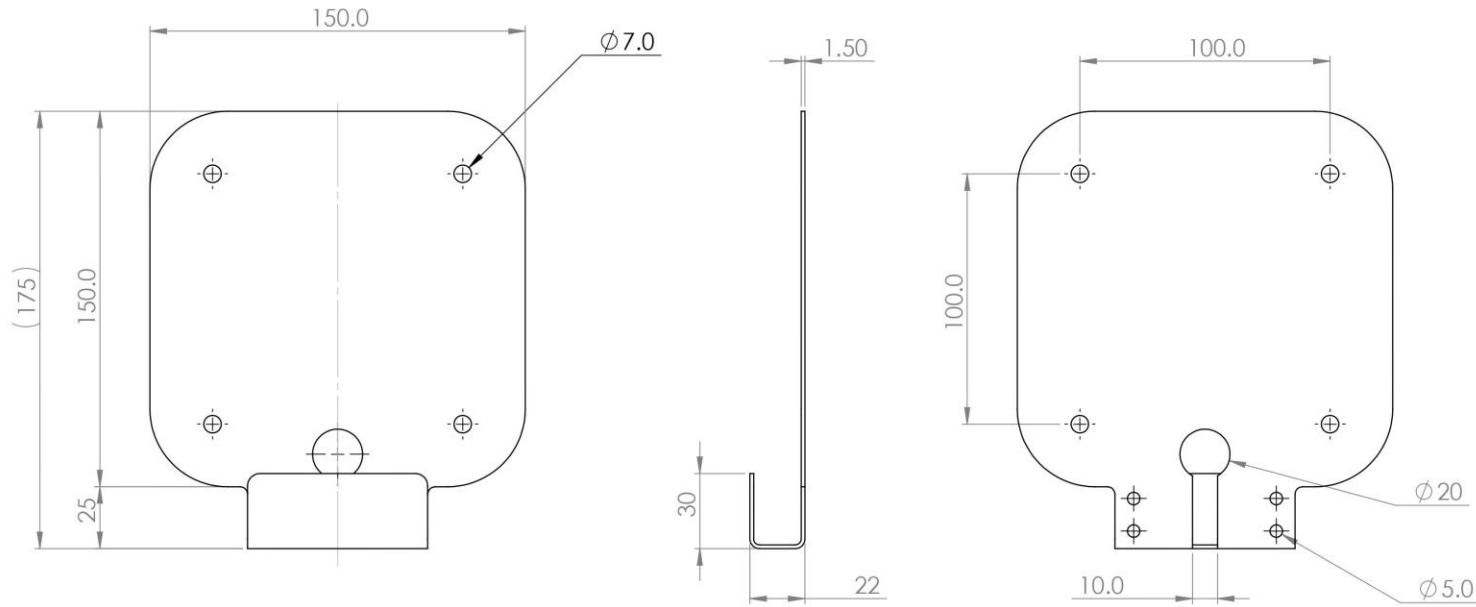
- Once the cable is attached to the antenna with the backplate, it cannot be removed or reattached without detaching the backplate.
- Move the backplate along the cable to align the mounting holes for both the protection backplate and the antenna, and then secure them with bolts or screws.
- Note that the backplate can be attached to the A5020 and A5010 antennas using the antenna's mounting holes. If you intend to flush mount the antenna without using these holes, it may pose some challenges.



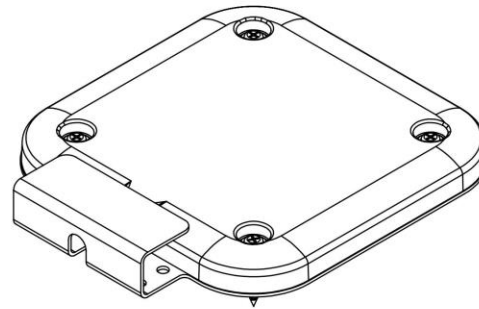
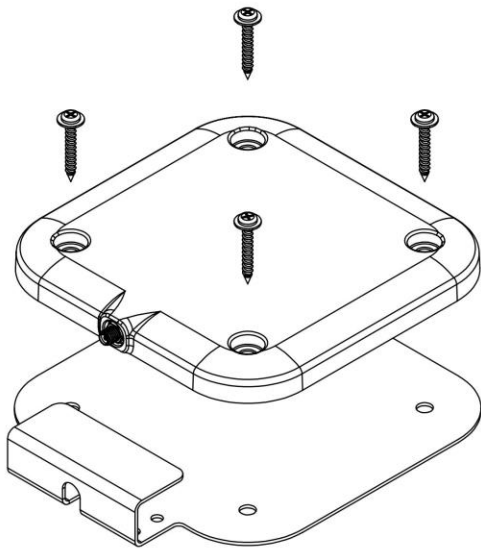
The technical data contained in this publication is not a guarantee for which Times-7 Research Ltd assumes legal accountability. It is indicative of typical performance, and if required should be relied on for specific applications only after due verification.

All technical data, specifications and other information contained herein are deemed to be the proprietary intellectual property of Times-7 Research Ltd. No reproduction, copy or use thereof may be made without the express written consent of Times-7 Research Ltd.

Times-7, and the stylized T-7 Antennas logo are trademarks or registered trademarks of Times-7 Research Ltd. All other trademarks are the property of their respective owners.  
© 2023 Times-7 Research Ltd. All rights reserved. Specifications are subject to change without notice.



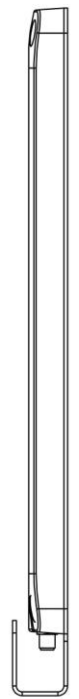
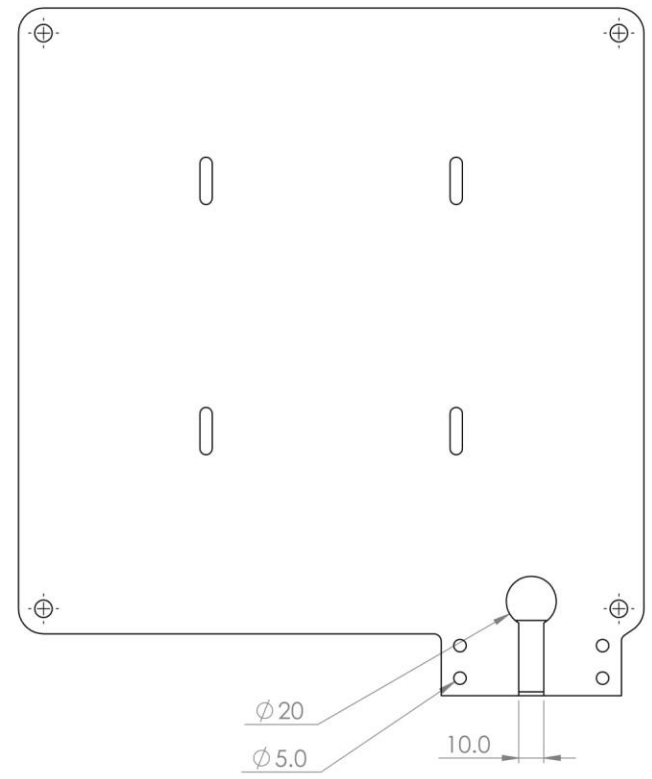
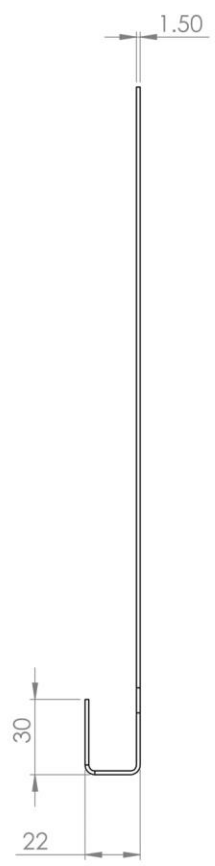
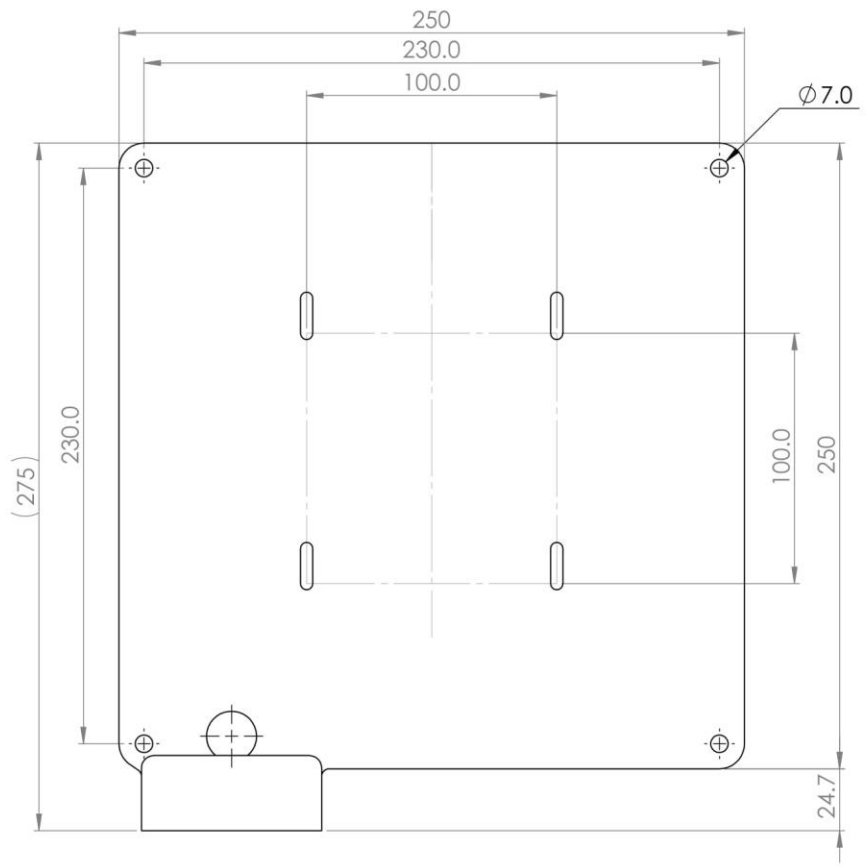
Shown fitted with  
A5020  
Antenna



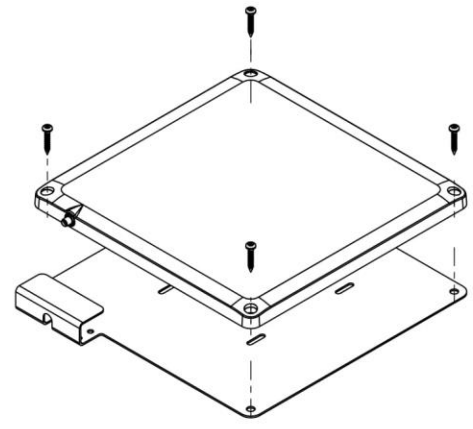
Notes

1. Protection plate shown fitted to A5020 Antenna

THE INFORMATION CONTAINED IN THIS DRAWING IS THE SOLE PROPERTY OF TIMES-7 LTD. ANY REPRODUCTION IN PART OR AS A WHOLE WITHOUT THE WRITTEN PERMISSION OF TIMES-7 IS PROHIBITED.		DIMENSIONS ARE IN mm UNLESS OTHERWISE SPECIFIED TOLERANCES: NO DECIMAL PLACES $\pm 1$ ONE PLACE DECIMAL $\pm 0.5$				DESCRIPTION <b>A5020 Connector Protection Backplate</b>		
DRAWN	RH	SIGNATURE	<i>Rolape</i>	DATE	16-2-21	SIZE	PART NO.	REV
UPDATED	C Wilson	SIGNATURE	<i>C Wilson</i>	DATE	4/10/21	<b>A3</b>	<b>72394-FG</b>	<b>B</b>
APPROVED	P Roling	SIGNATURE	<i>P Roling</i>	DATE	4/10/21	DO NOT SCALE DRAWING		SHEET 1 OF 1



Shown fitted with A5010 Antenna



- Notes
1. Protection plate shown fitted to A5010 Antenna
  2. Flush and Stud mount types of Antenna

THE INFORMATION CONTAINED IN THIS DRAWING IS THE SOLE PROPERTY OF TIMES-7 LTD. ANY REPRODUCTION IN PART OR AS A WHOLE WITHOUT THE WRITTEN PERMISSION OF TIMES-7 IS PROHIBITED.		DIMENSIONS ARE IN mm UNLESS OTHERWISE SPECIFIED TOLERANCES: NO DECIMAL PLACES $\pm 1$ ONE PLACE DECIMAL $\pm 0.5$				DESCRIPTION <b>A5010 Connector Protection Backplate</b>		
DRAWN	RH	SIGNATURE	<i>P. Roling</i>	DATE	16-2-21	SIZE	PART NO.	REV
UPDATED	C Wilson	SIGNATURE	<i>C. Wilson</i>	DATE	4/10/21	<b>A3</b>	72400-FG	<b>B</b>
APPROVED	P Roling	SIGNATURE	<i>P. Roling</i>	DATE	4/10/21	DO NOT SCALE DRAWING		SHEET 1 OF 1